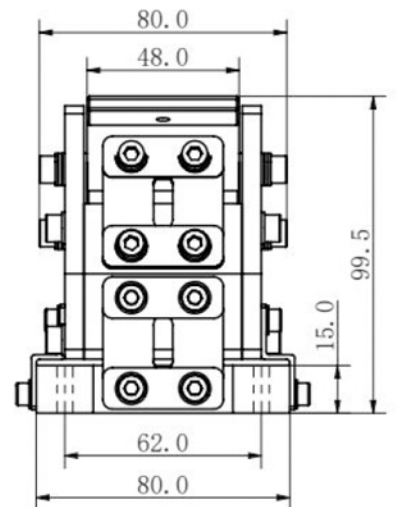
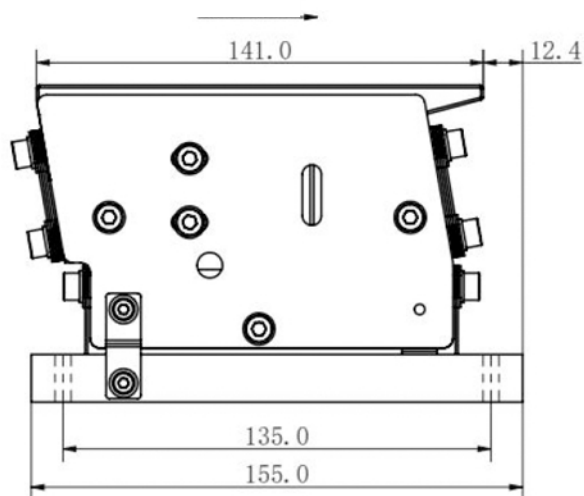
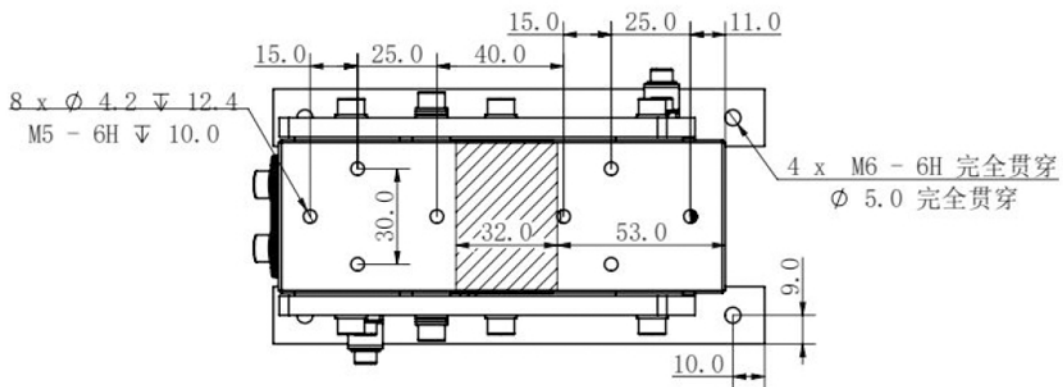
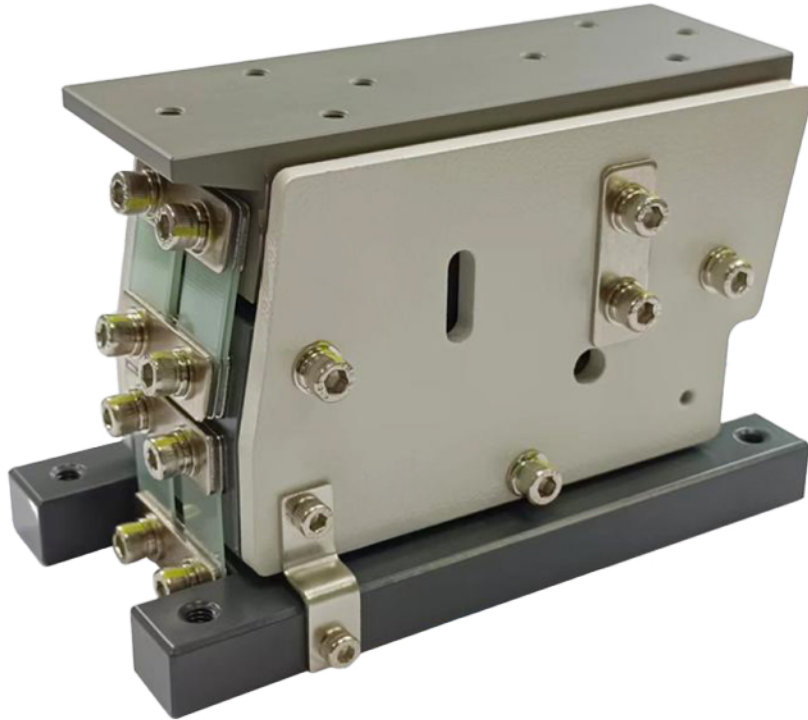


VT - 140N



| Model | Supply voltage V | Output Current A | Maximum Power W | Loading KG | Length of feed path mm | Material channel width mm |
|------------------|-------------------------|-------------------------|------------------------|-------------------|-------------------------------|----------------------------------|
| VT - 140N | 220 | 0.28 | 56 | <2 | <500 | <55 |