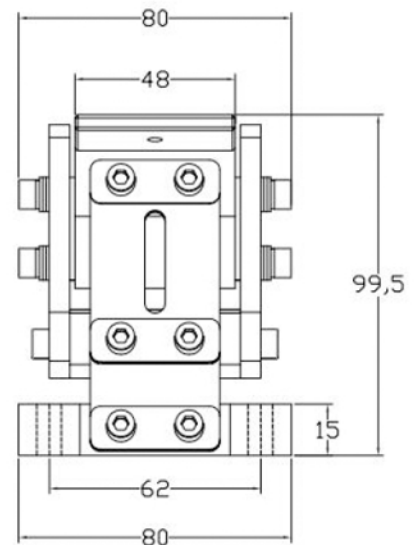
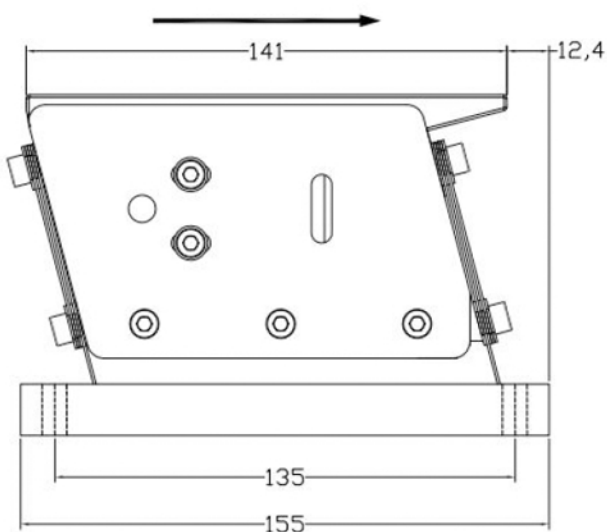
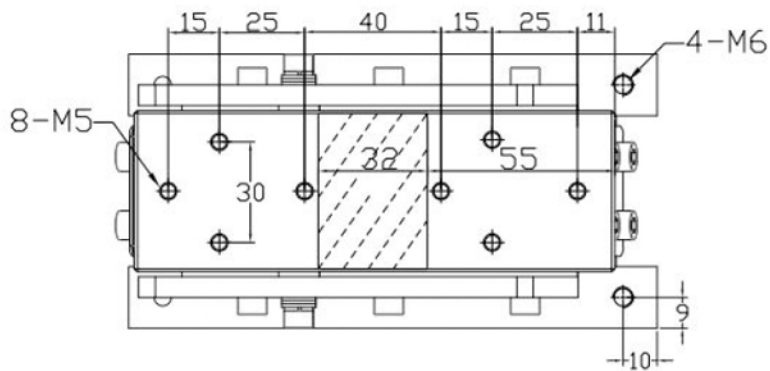
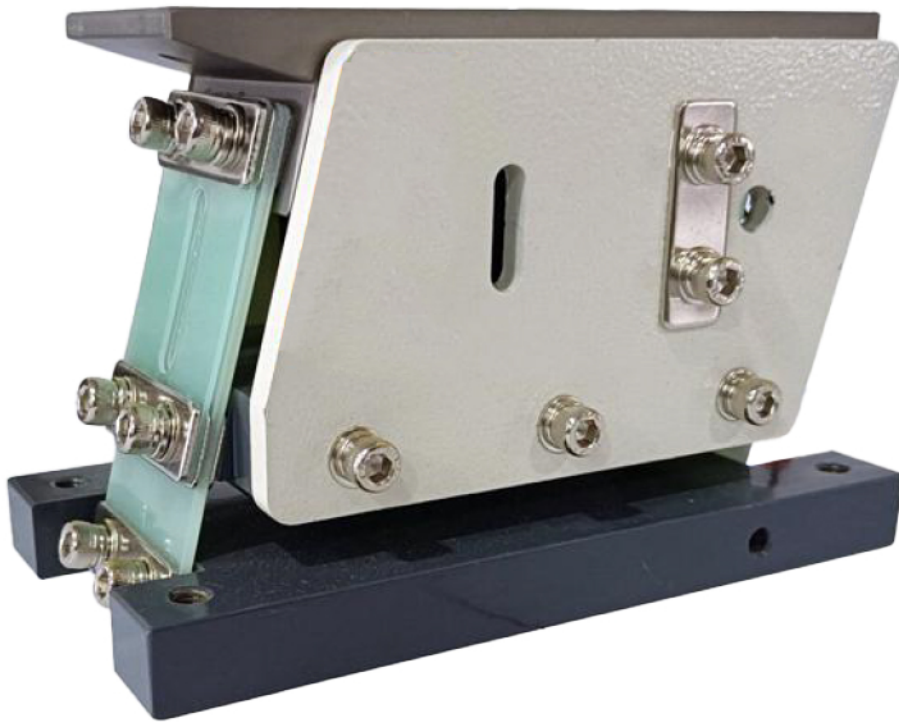


VT - 140T



Model	Supply voltage V	Output Current A	Maximum Power W	Loading KG	Length of feed path mm	Material channel width mm
VT - 140T	220	0.28	56	<2	<500	<55