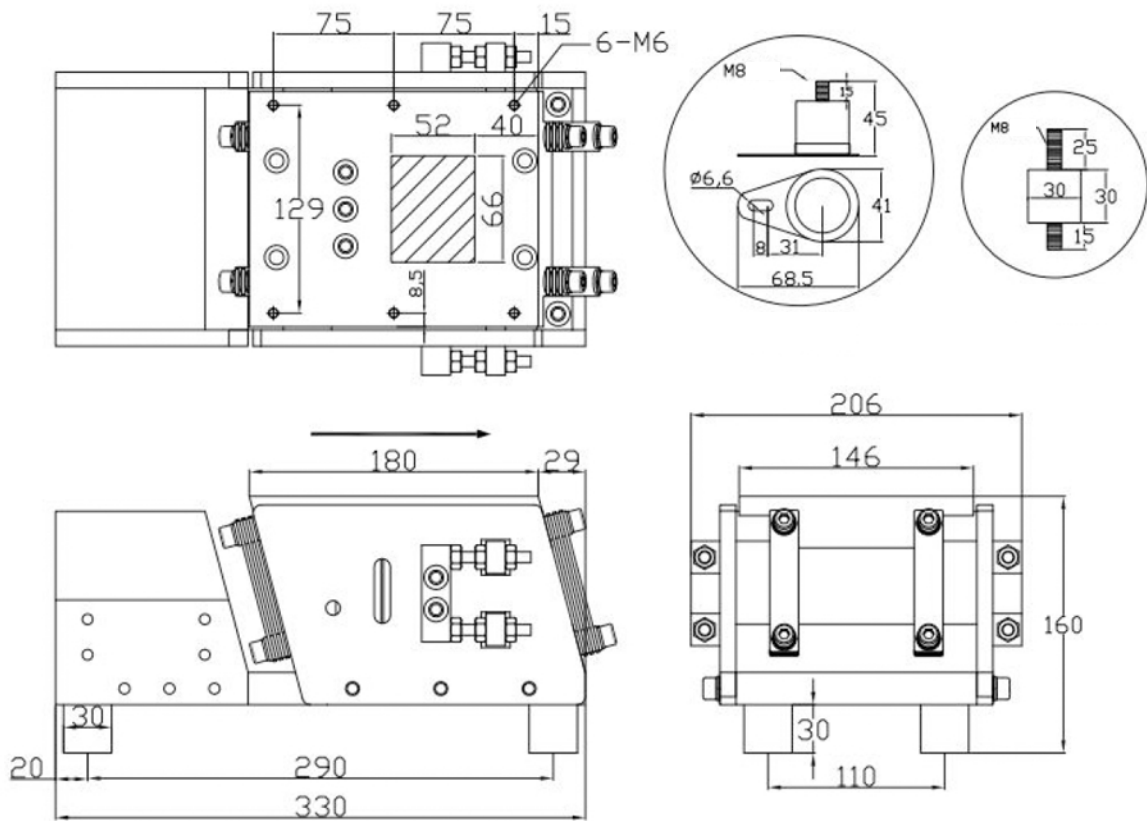


VT - 200Z



Model	Supply voltage V	Output Current A	Maximum Power W	Loading KG	Lenght of feed path mm	Material channel width mm
VT - 200Z	220	1.51	302	<20	<700	<150