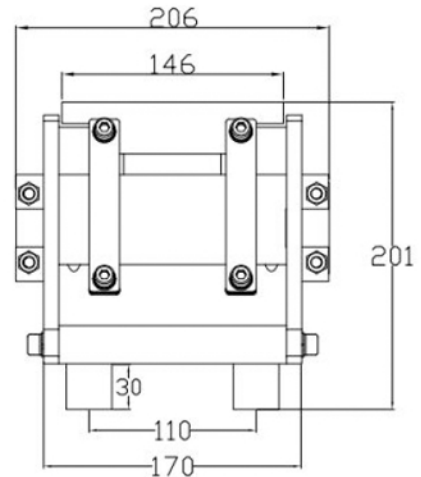
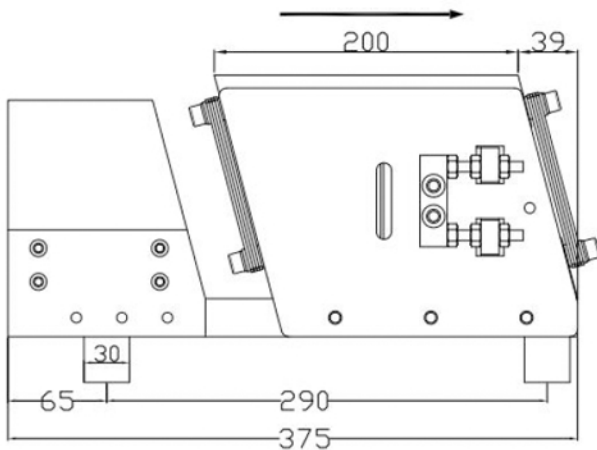
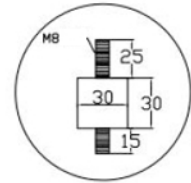
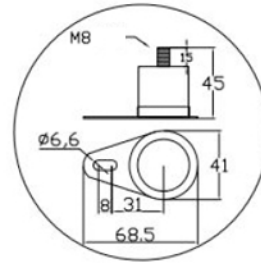
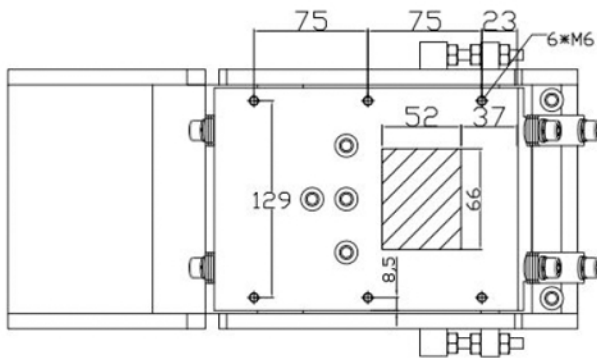


VT - 300Z



Z
1



Model	Supply voltage V	Output Current A	Maximum Power W	Loading KG	Length of feed path mm	Material channel width mm
VT - 300Z	220	2.86	572	<25	<800	<180