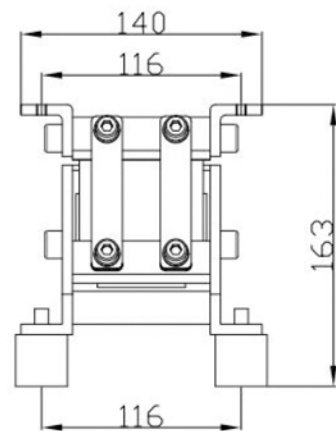
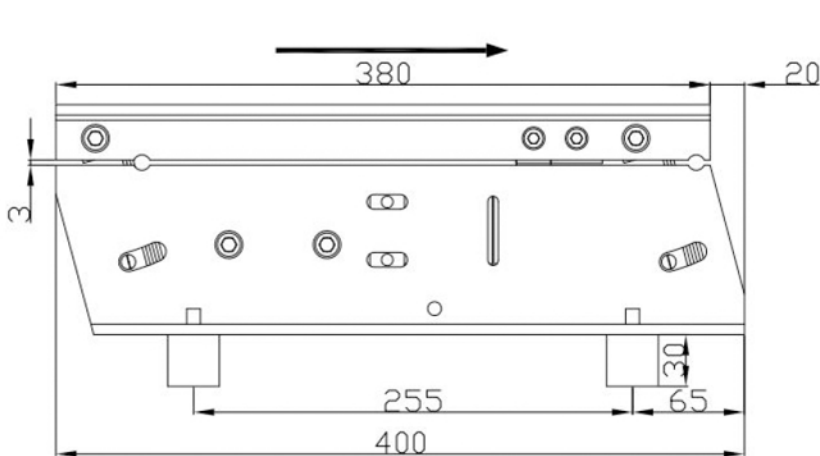
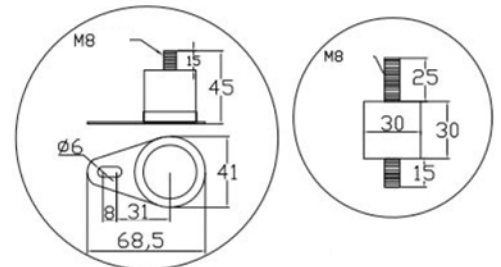
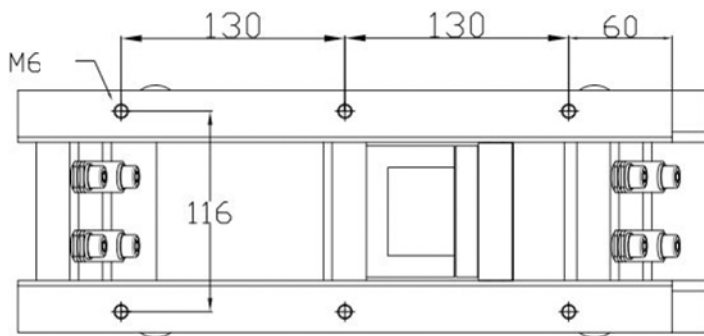


VT - 450D



Model	Supply voltage V	Output Current A	Maximum Power W	Loading KG	Length of feed path mm	Material channel width mm
VT - 450D	220	1.54	308	<10	<800	<200