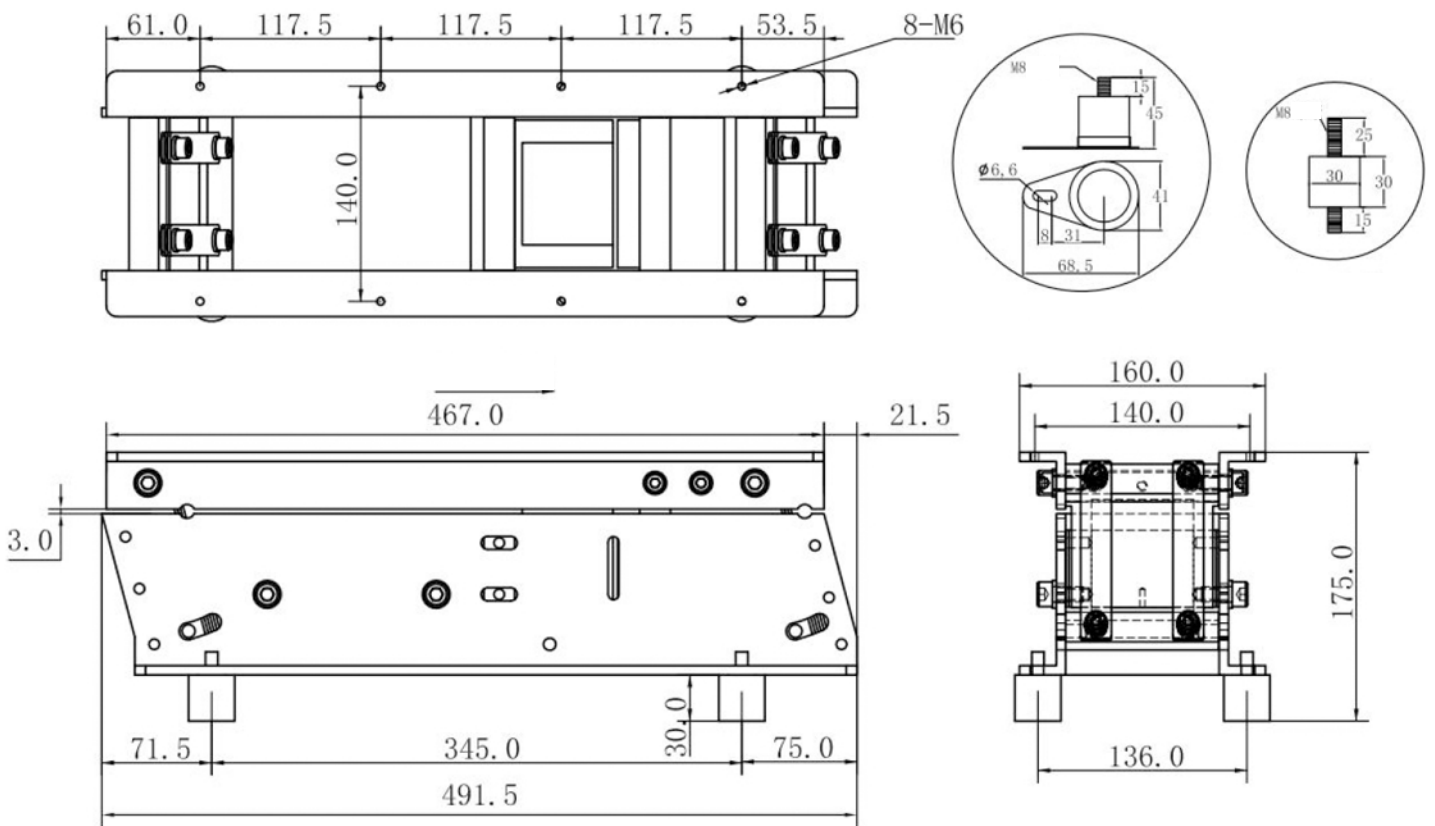


VT - 550D



| Model | Supply voltage V | Output Current A | Maximum Power W | Loading KG | Length of feed path mm | Material channel width mm |
|------------------|-------------------------|-------------------------|------------------------|-------------------|-------------------------------|----------------------------------|
| VT - 550D | 220 | 1.51 | 302 | <15 | <800 | <200 |