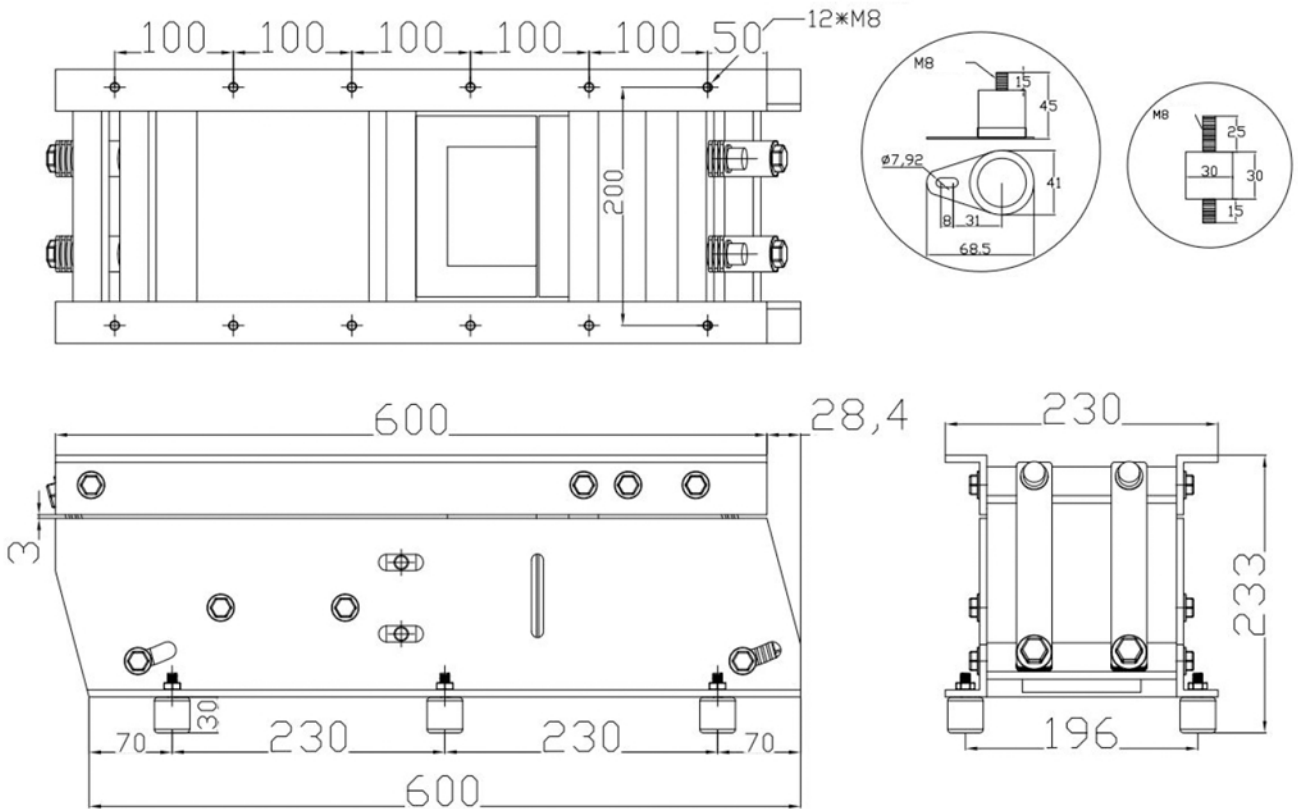


VT - 850D



Model	Supply voltage V	Output Current A	Maximum Power W	Loading KG	Lenght of feed path mm	Material channel width mm
VT - 850D	220	4.59	918	<50	<800	<600