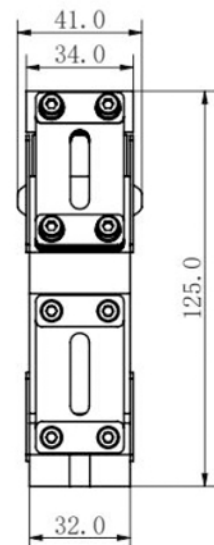
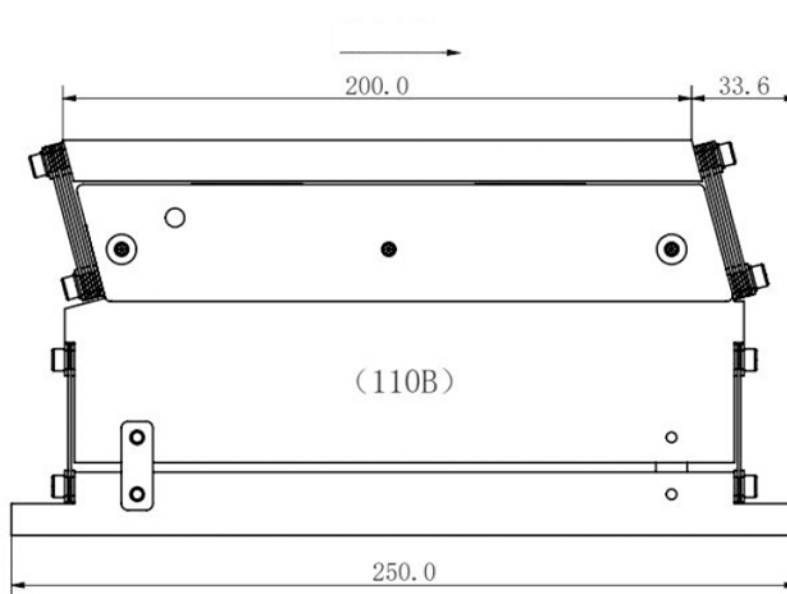
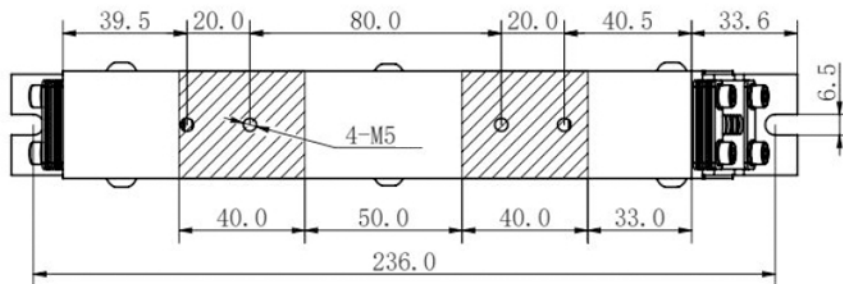
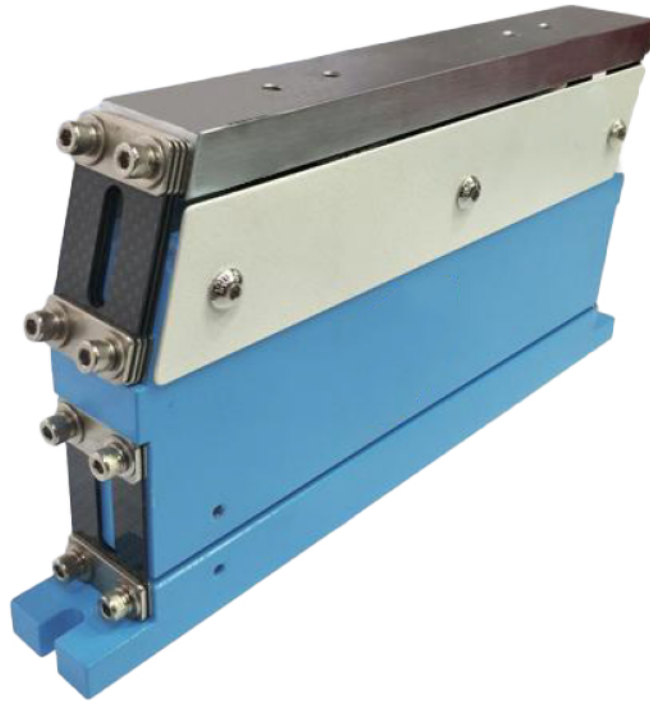


VT - 110B



Model	Supply voltage V	Output Current A	Maximum Power W	Loading KG	Length of feed path mm	Material channel width mm
VT - 110B	220	0.23	46	<1.5	<500	<45