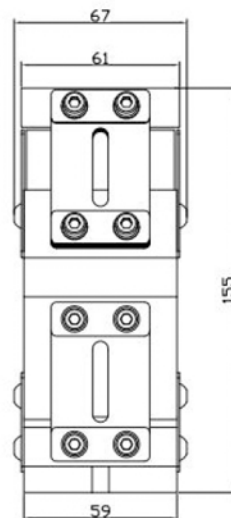
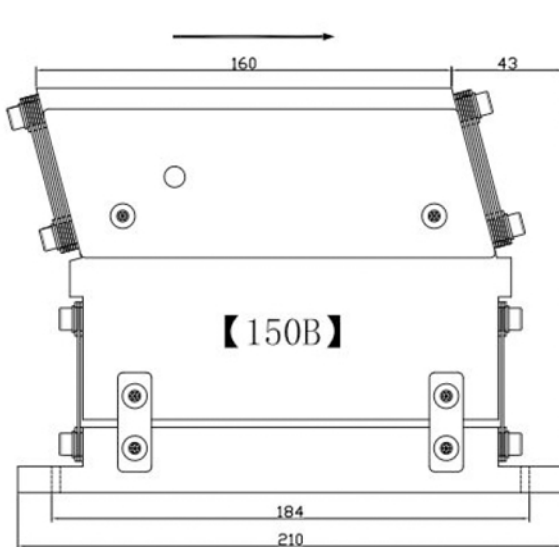
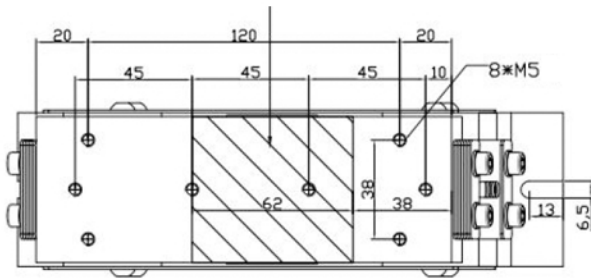


VT - 150B



Model	Supply voltage V	Output Current A	Maximum Power W	Loading KG	Lenght of feed path mm	Material channel width mm
VT - 150B	220	0.67	134	<3	<600	<65