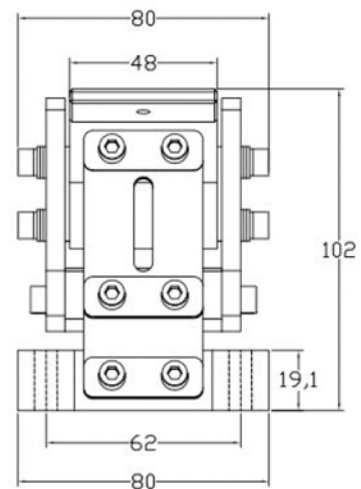
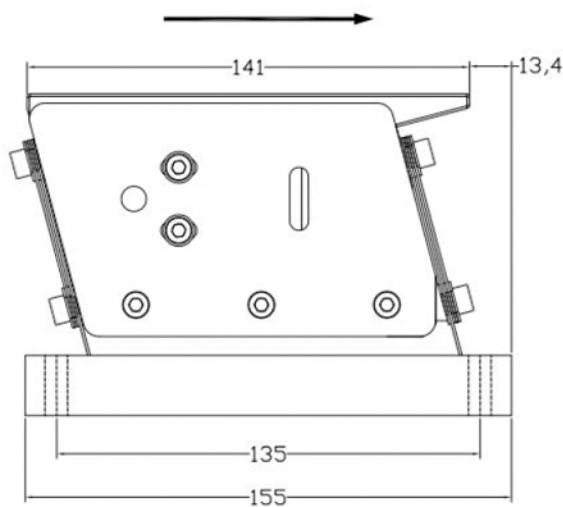
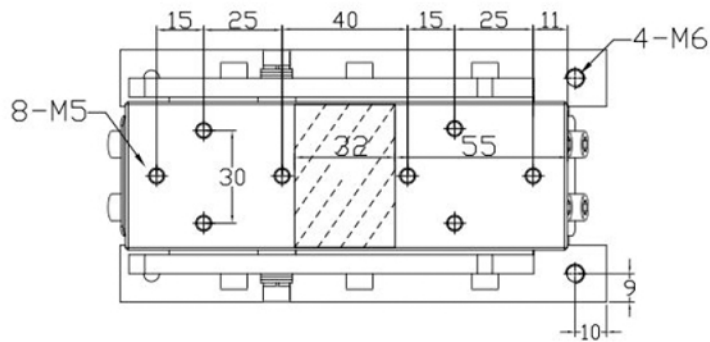


# VT - 140M



Model	Supply voltage <b>V</b>	Output Current <b>A</b>	Maximum Power <b>W</b>	Loading <b>KG</b>	Length of feed path <b>mm</b>	Material channel width <b>mm</b>
<b>VT - 140M</b>	<b>220</b>	<b>0.28</b>	<b>56</b>	<b>&lt;2</b>	<b>&lt;500</b>	<b>&lt;60</b>