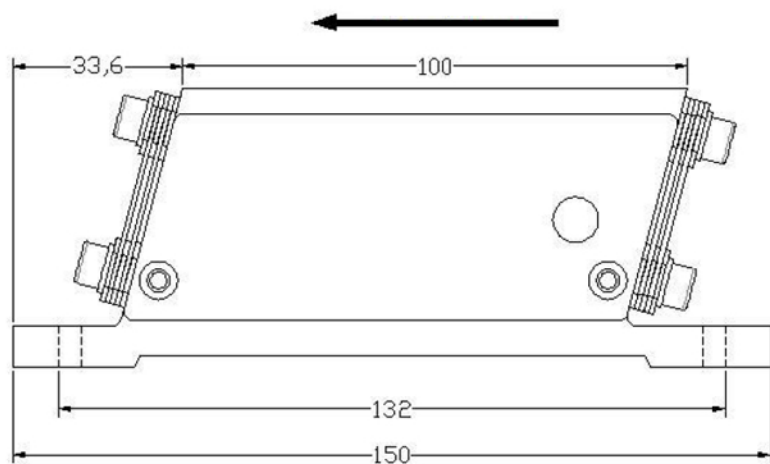
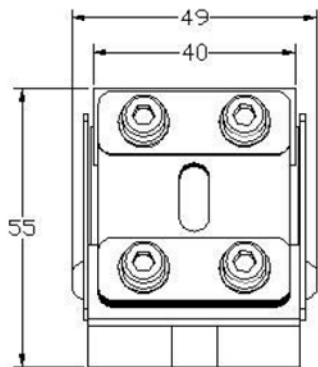
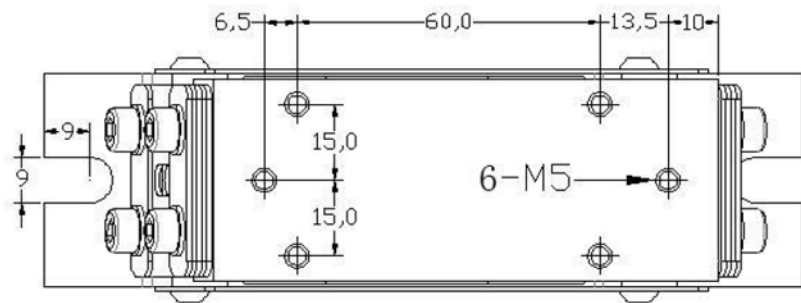


VT - 141J



Model	Supply voltage V	Output Current A	Maximum Power W	Loading KG	Length of feed path mm	Material channel width mm
VT - 141J	220	0.22	44	<2	<500	<30