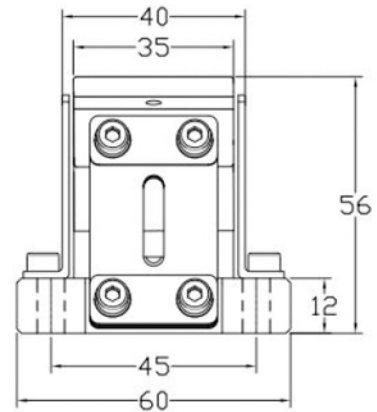
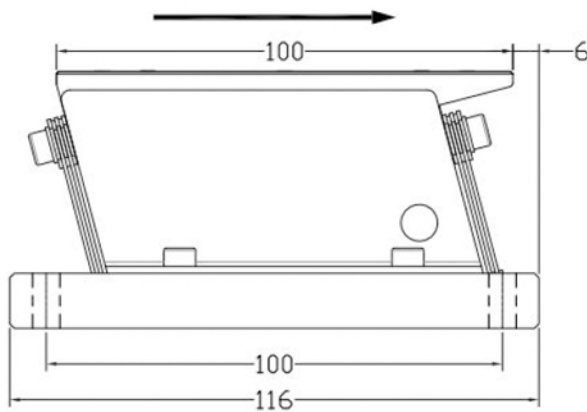
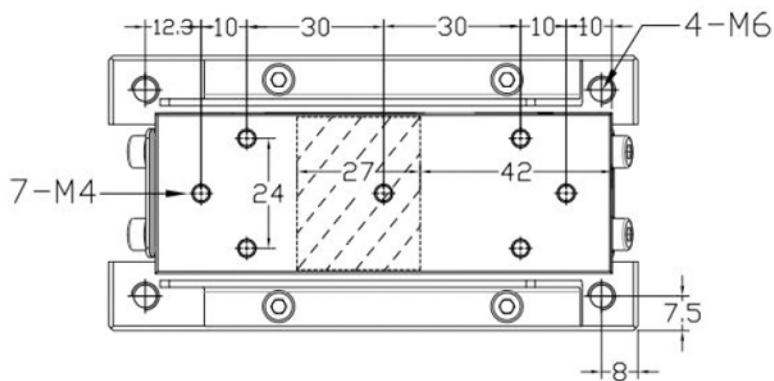


VT - 60L



Model	Supply voltage V	Output Current A	Maximum Power W	Loading KG	Lenght of feed path mm	Material channel width mm
VT - 60L	220	0.11	22	<1	<350	<35