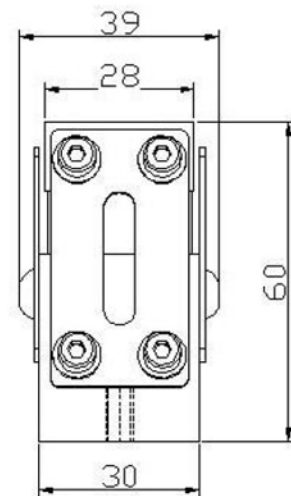
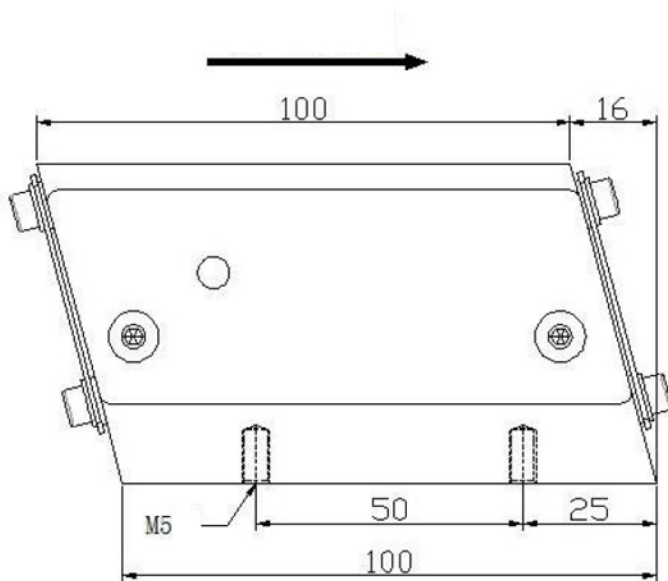
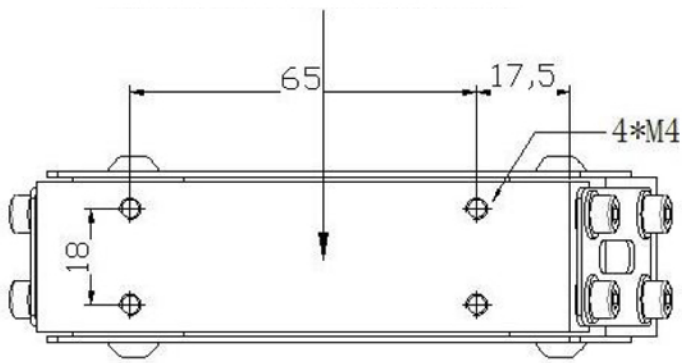
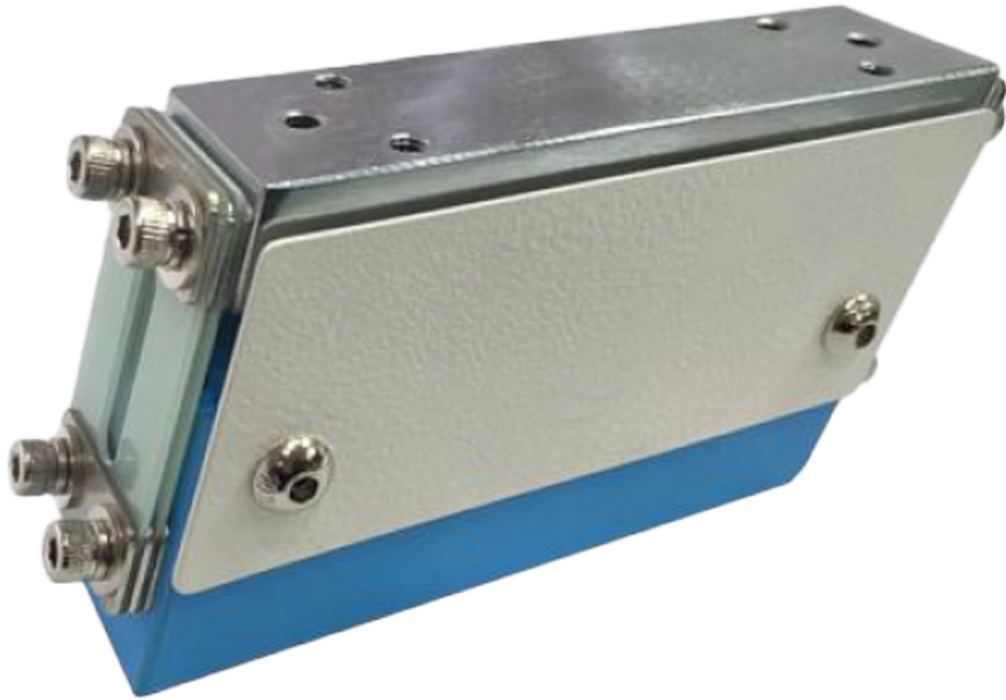


VT - 70L



Model	Supply voltage V	Output Current A	Maximum Power W	Loading KG	Length of feed path mm	Material channel width mm
VT - 70L	220	0.06	12	<1	<350	<35