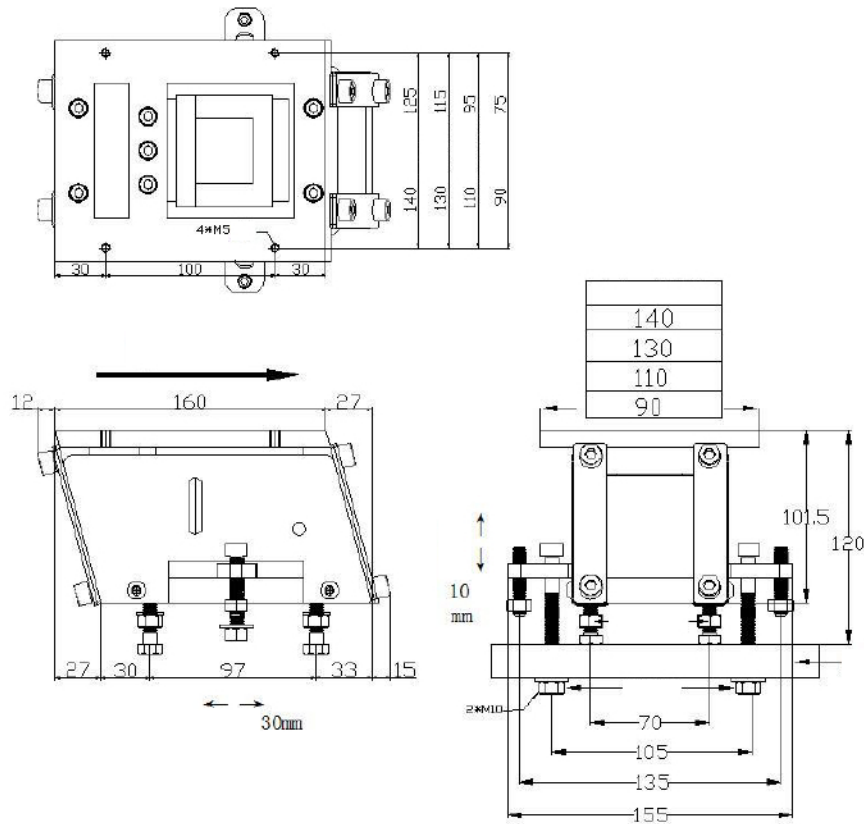


VT - DIRECT VIBRATION - TYPE A



Model	Supply voltage V	Output Current A	Maximum Power W	Loading KG	Length of feed path mm	Material channel width mm
VT - DIRECT VIBRATION	220	0.66	132	<5	<500	<250