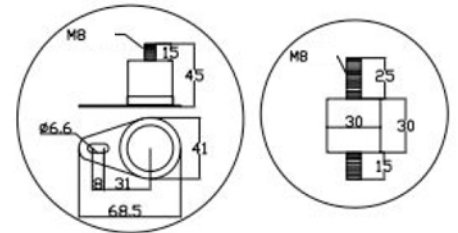
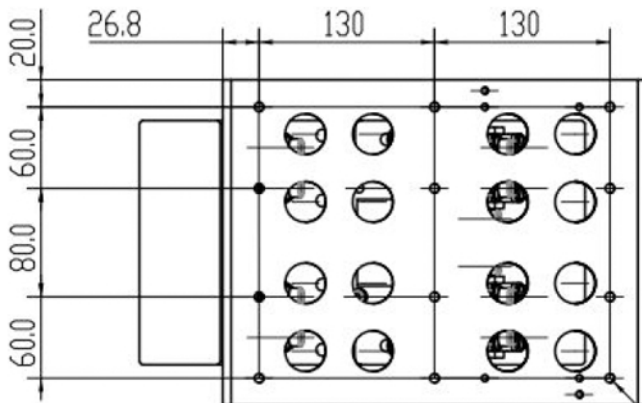
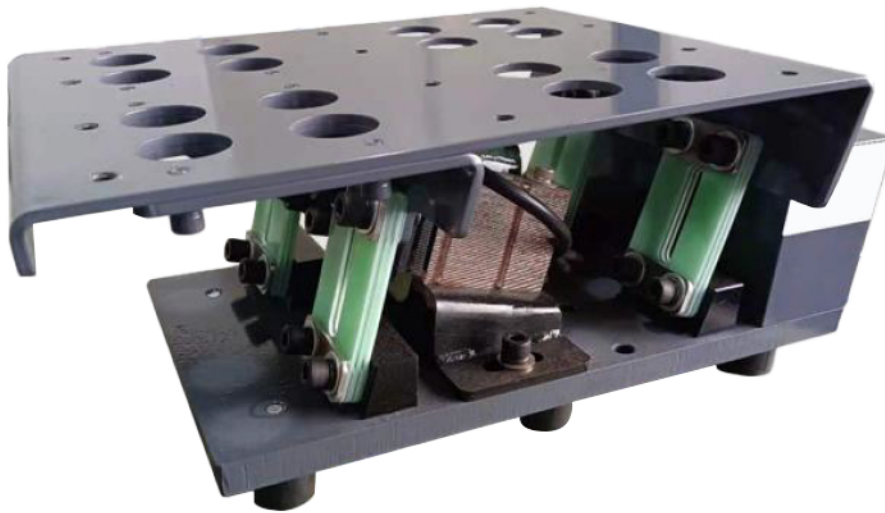
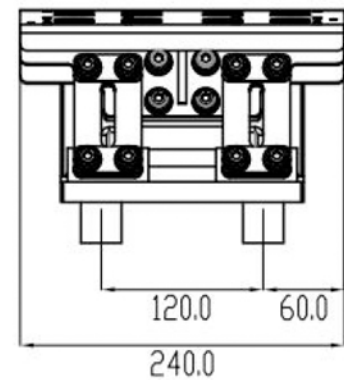
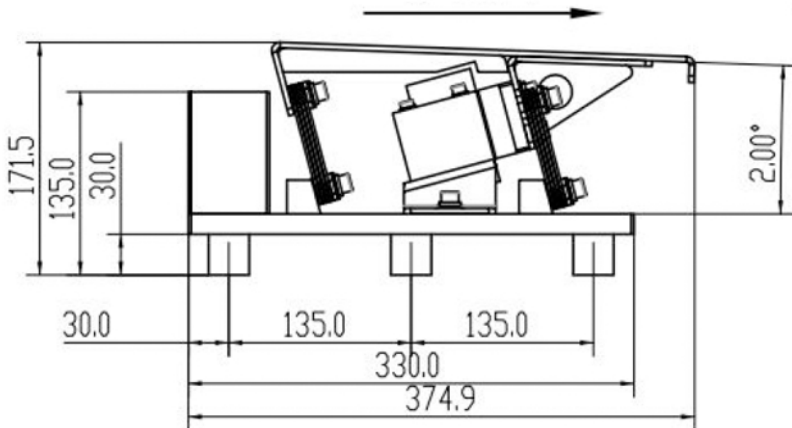


VT - 240W



12 x M8 - 6H
 ϕ 6.8



Model	Supply voltage V	Output Current A	Maximum Power W	Loading KG	Length of feed path mm	Material channel width mm
VT - 240W	220	1.81	362	<15	<500	<440