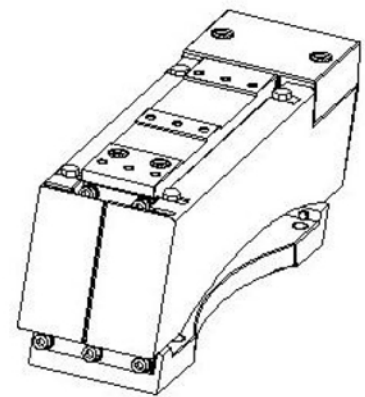
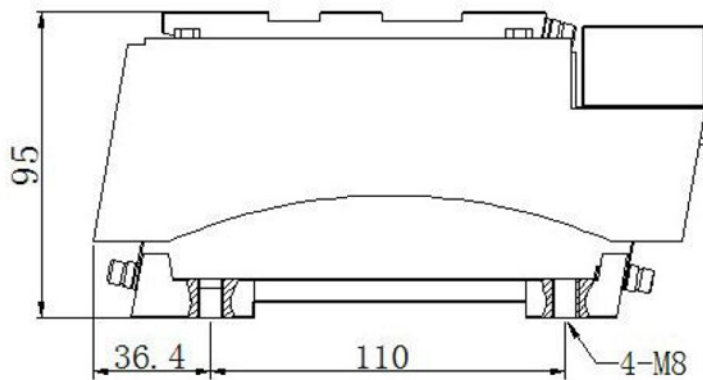
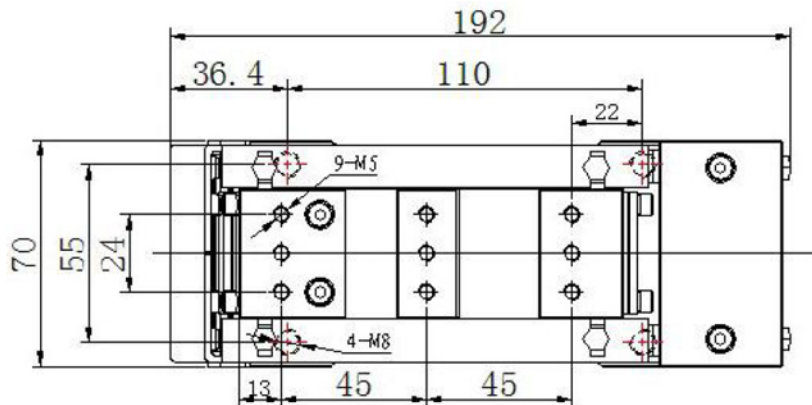


VT - 350C



Model	Supply voltage V	Output Current A	Maximum Power W	Loading KG	Length of feed path mm	Material channel width mm
VT - 350C	220	0.11	22	<1.5	<500	<40