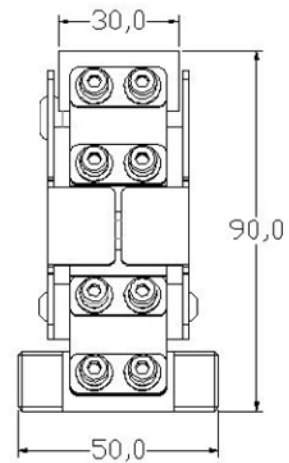
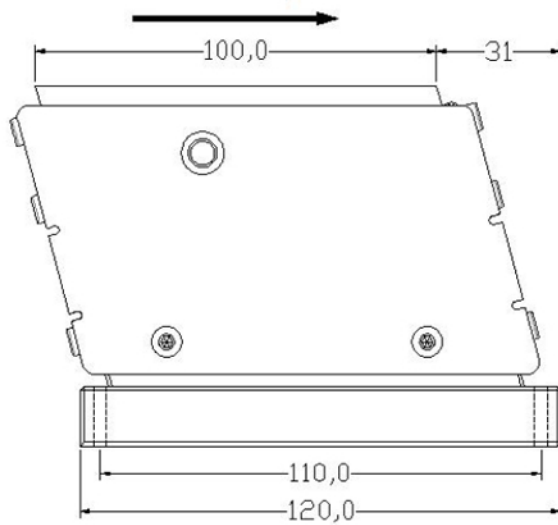
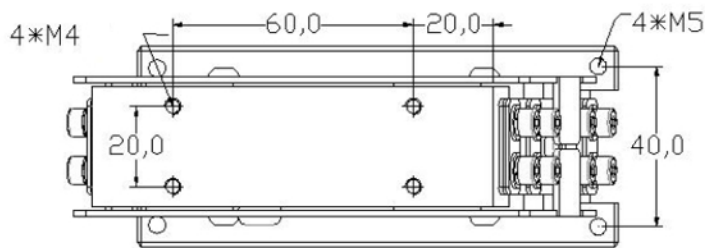
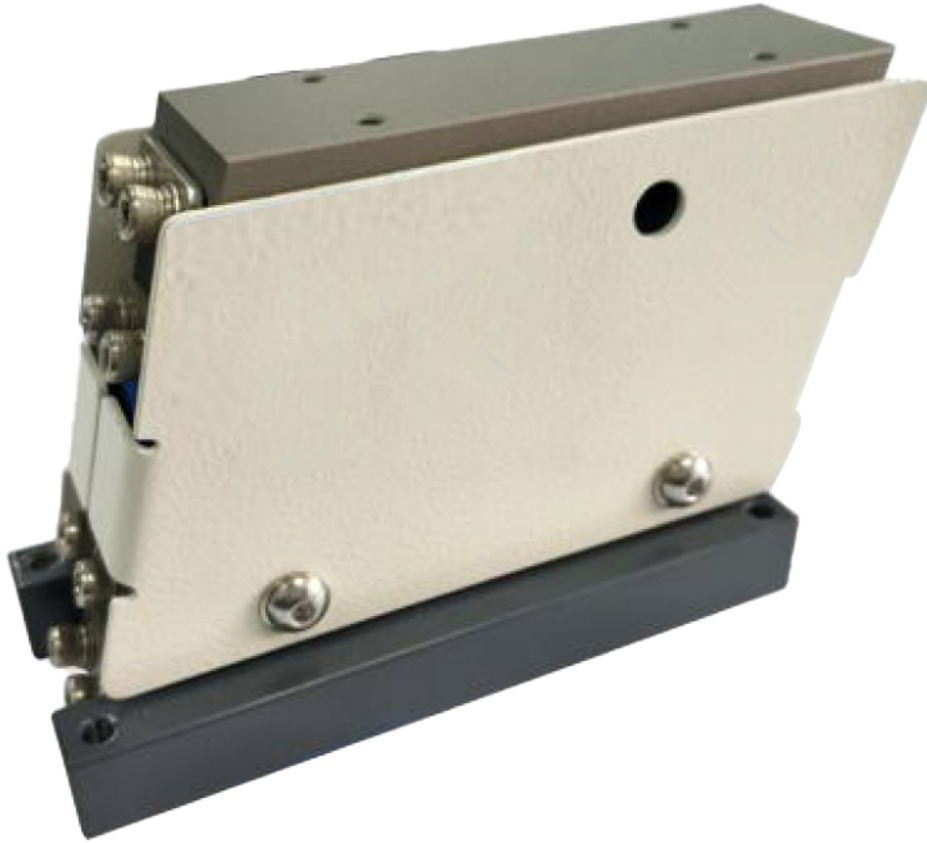


# VT - YD90



Model	Supply voltage <b>V</b>	Drive Source	Frequency <b>Hz</b>	Loading <b>KG</b>	Length of feed path <b>mm</b>	Material channel width <b>mm</b>
<b>VT - YD90</b>	<b>&lt;180</b>	PIEZOELECTRIC	<b>100-200</b>	<b>&lt;0.35</b>	<b>&lt;320</b>	<b>&lt;35</b>