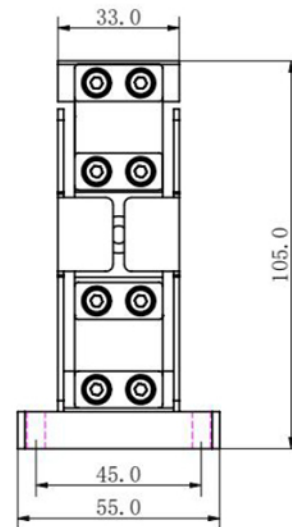
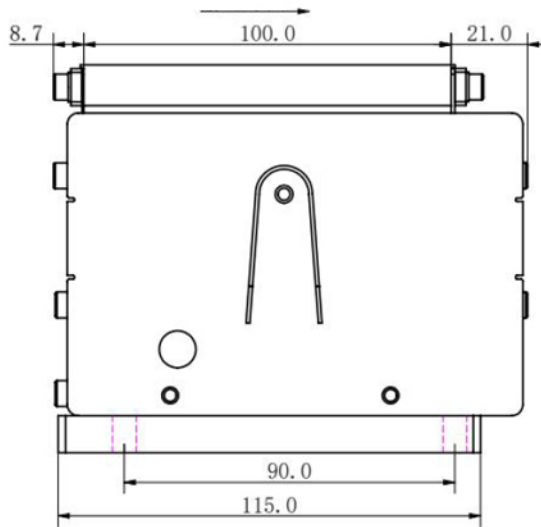
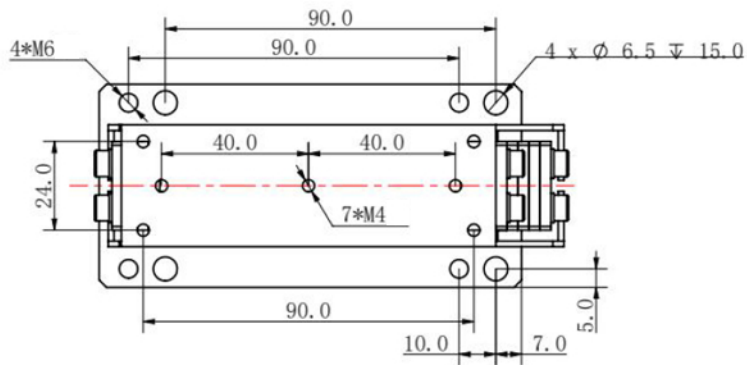


# VT - YD100



| Model             | Supply voltage <b>V</b> | Drive Source  | Frequency <b>Hz</b> | Loading <b>KG</b> | Length of feed path <b>mm</b> | Material channel width <b>mm</b> |
|-------------------|-------------------------|---------------|---------------------|-------------------|-------------------------------|----------------------------------|
| <b>VT - YD100</b> | <b>&lt;180</b>          | PIEZOELECTRIC | <b>100-200</b>      | <b>&lt;0.6</b>    | <b>&lt;350</b>                | <b>&lt;35</b>                    |