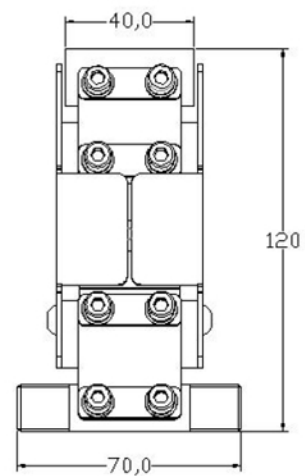
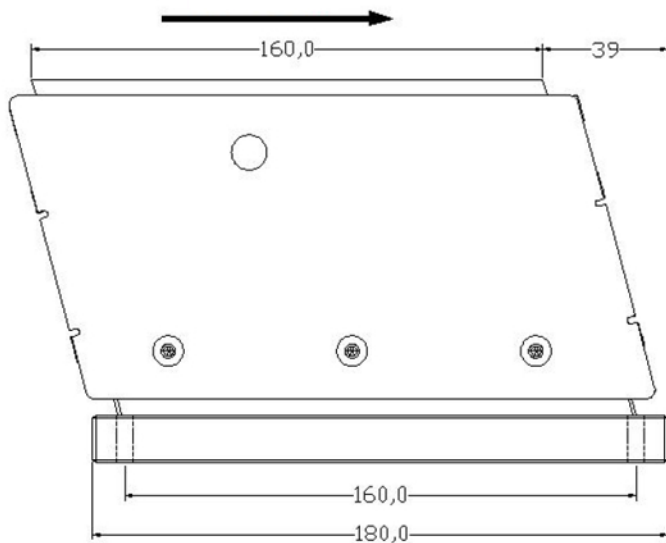
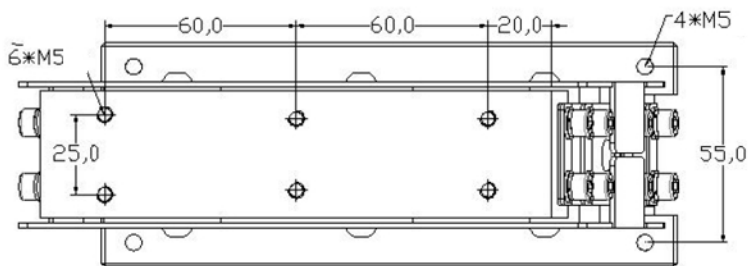


VT - YD120



Model	Supply voltage V	Drive Source	Frequency Hz	Loading KG	Length of feed path mm	Material channel width mm
VT - YD120	<180	PIEZOELECTRIC	100-200	<0.75	<500	<35