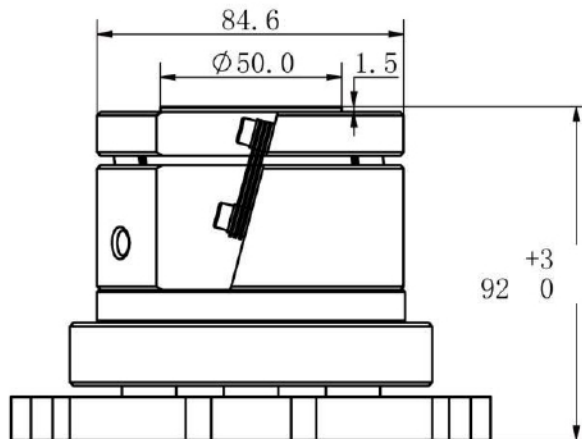
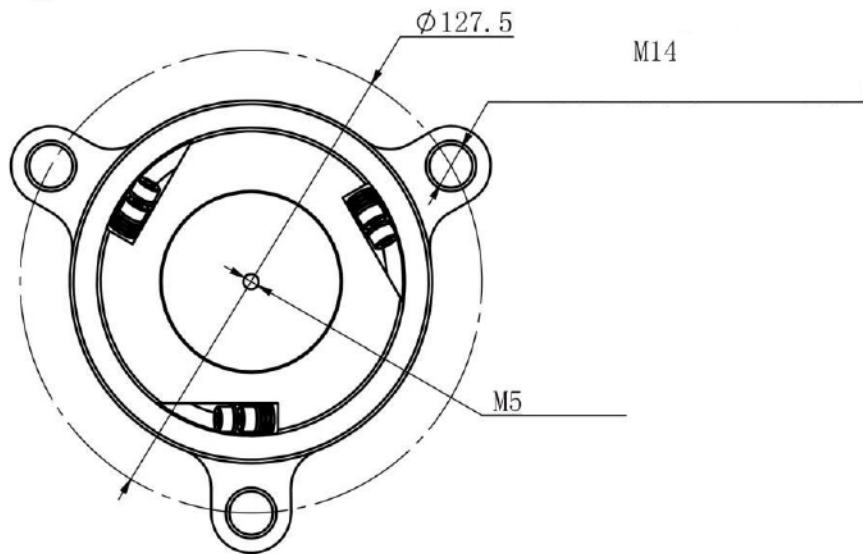


# VT - 80DC



Model	Supply voltage <b>V</b>	Maximum Power <b>W</b>	Machine weight <b>KG</b>	Diameter*Height <b>mm</b>	Max Hanging plate <b>mm</b>	Loading <b>KG</b>
<b>VT - 80DC</b>	<b>220</b>	<b>27</b>	<b>3.6</b>	<b>84.6*93</b>	<b>≤180</b>	<b>0.5-1.0</b>