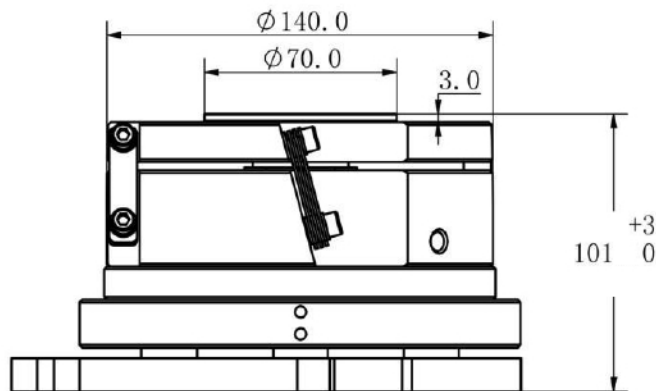
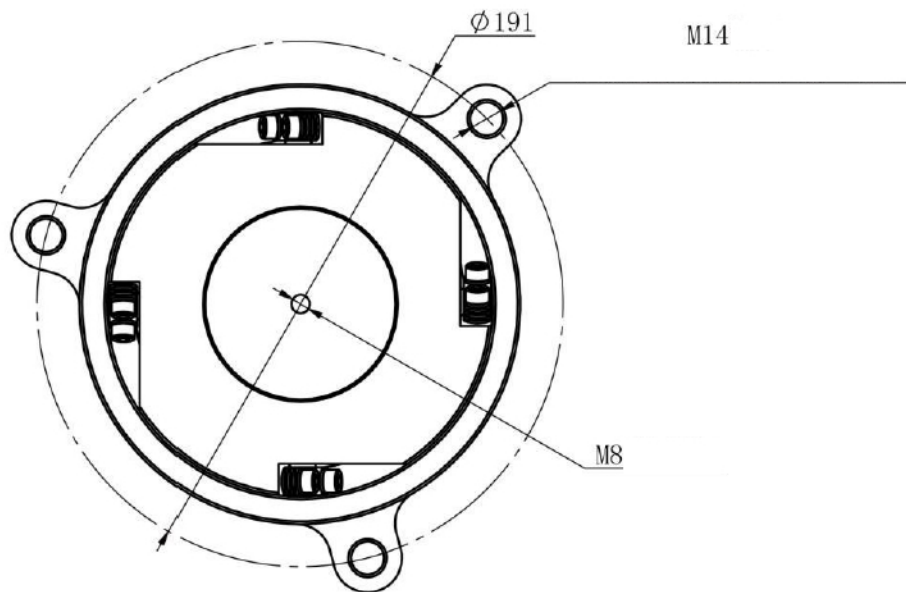


VT - 140DC



Model	Supply voltage V	Maximum Power W	Machine weight KG	Diameter*Height mm	Max Hanging plate mm	Loading KG
VT - 140DC	220	65	10	140*120	≤240	1.5-2.0