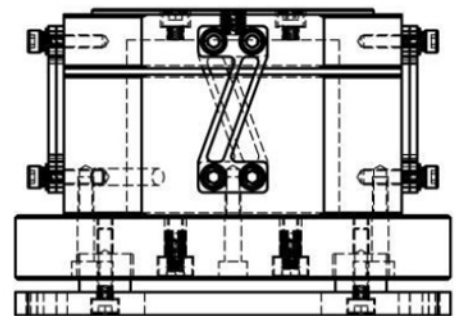
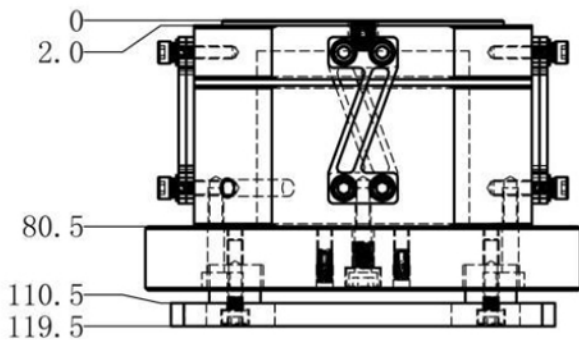
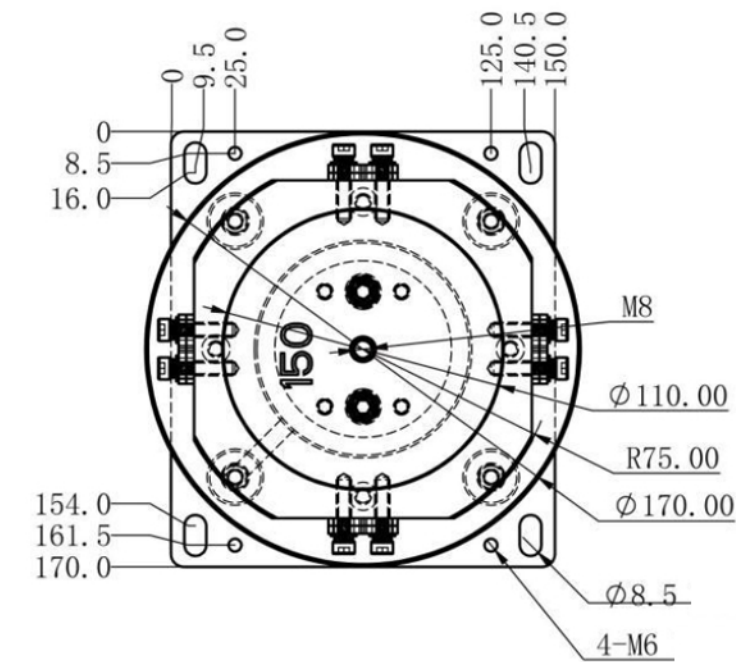


VT - 150DC



Model	Supply voltage V	Maximum Power W	Machine weight KG	Diameter*Height mm	Max Hanging plate mm	Loading KG
VT - 150DC	220	60	12.4	170*119.5	≤260	2.0-3.0