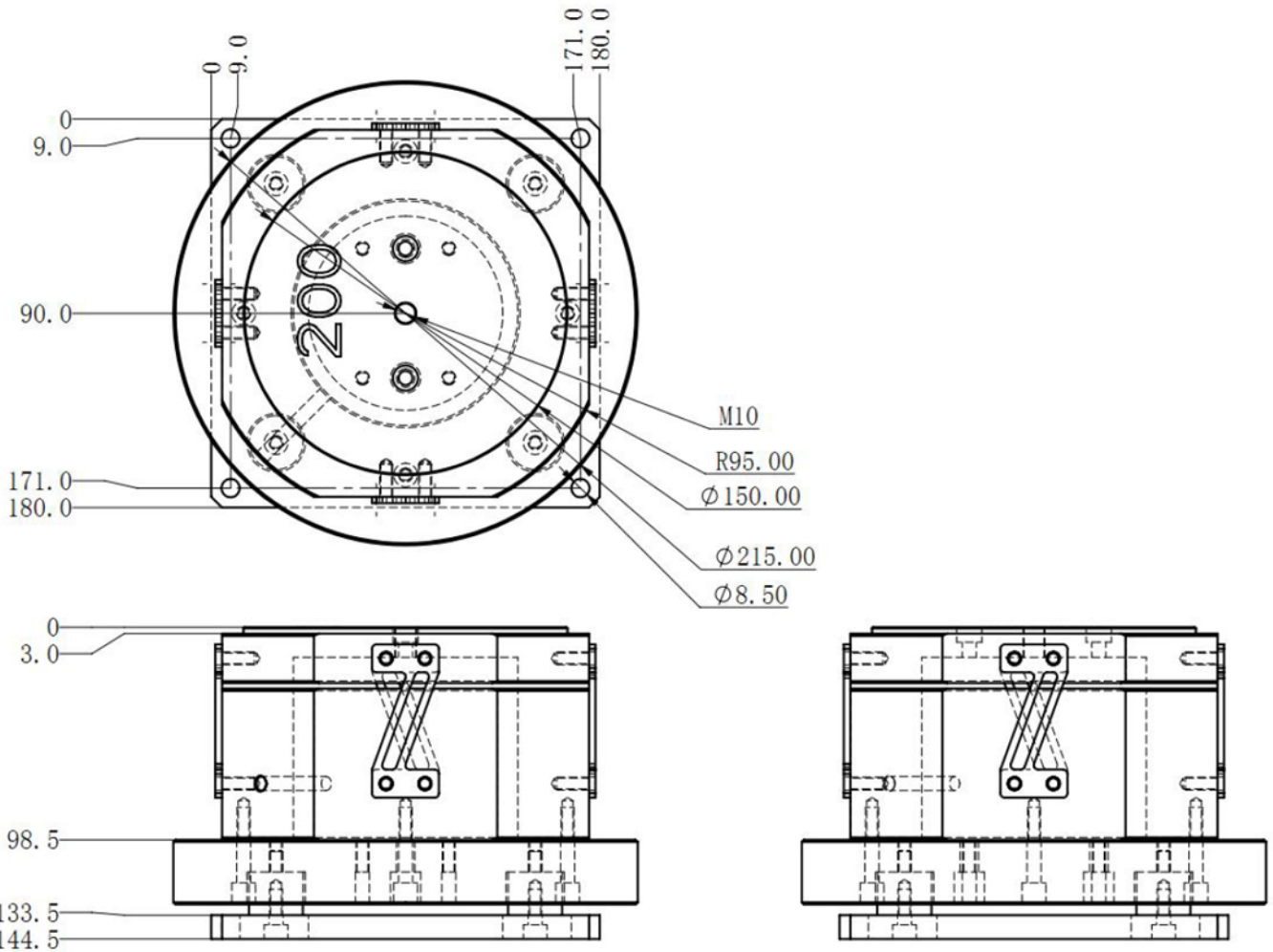


# VT - 200DC



Model	Supply voltage <b>V</b>	Maximum Power <b>W</b>	Machine weight <b>KG</b>	Diameter*Height <b>mm</b>	Max Hanging plate <b>mm</b>	Loading <b>KG</b>
<b>VT - 200DC</b>	<b>220</b>	<b>220</b>	<b>24.2</b>	<b>215*144.5</b>	<b>≤300</b>	<b>3.0-4.0</b>