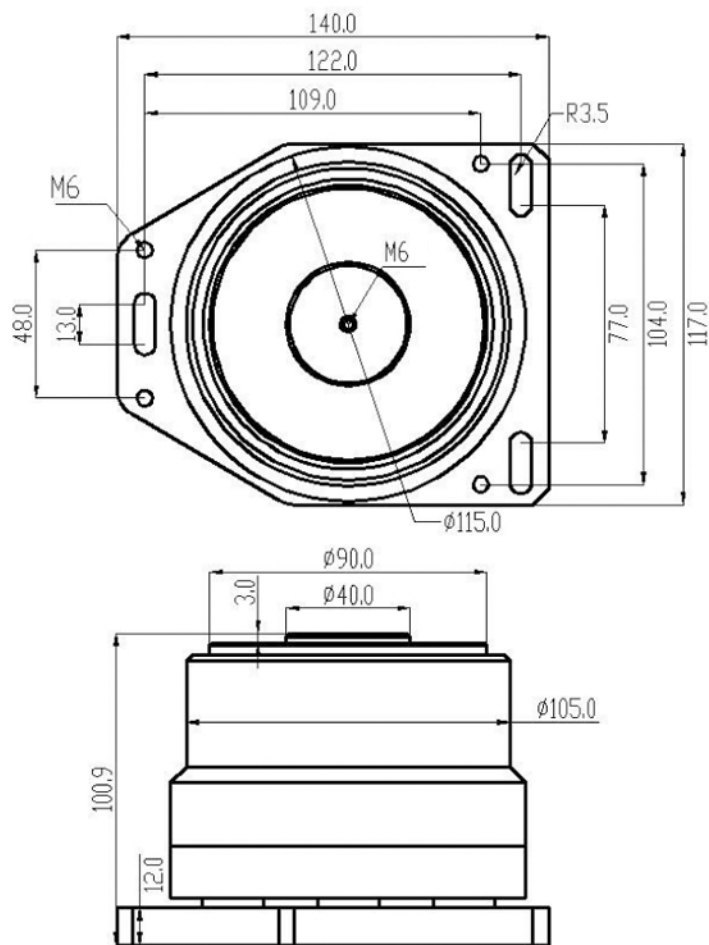
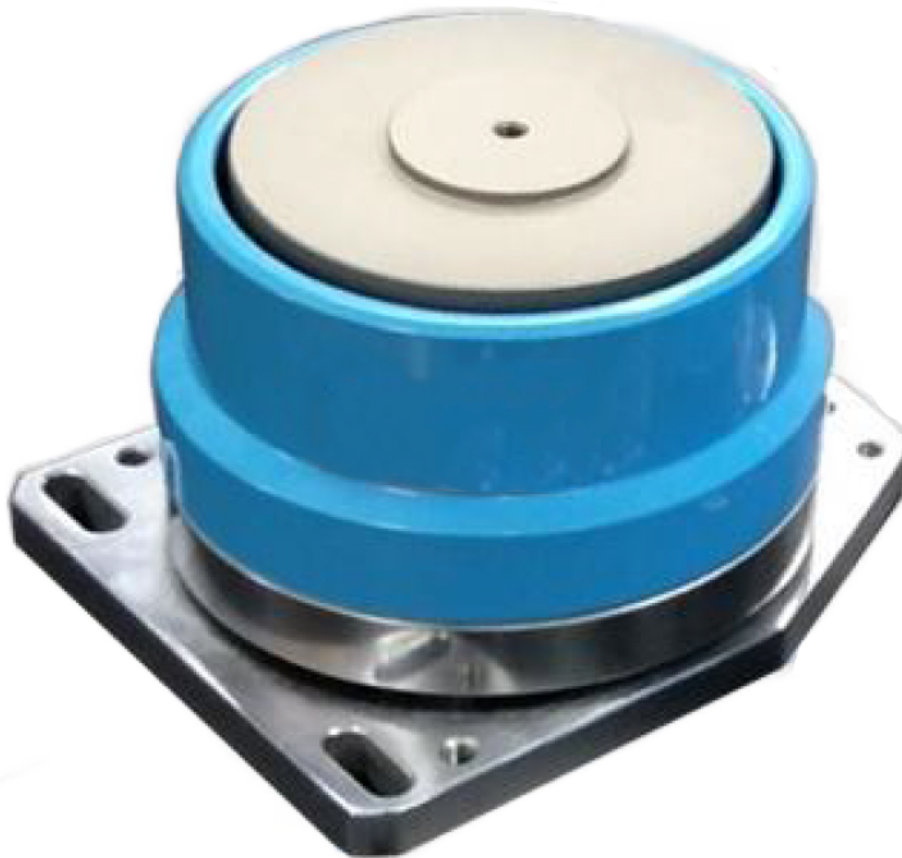


VT - 90YD



Model	Supply voltage V	Power W	Machine Weight Kg	Current	Loading Kg	Max hanging palte mm
VT - 90YD	<240	PIEZOELECTRIC	4	VARIES	0.5-1.0	≤150