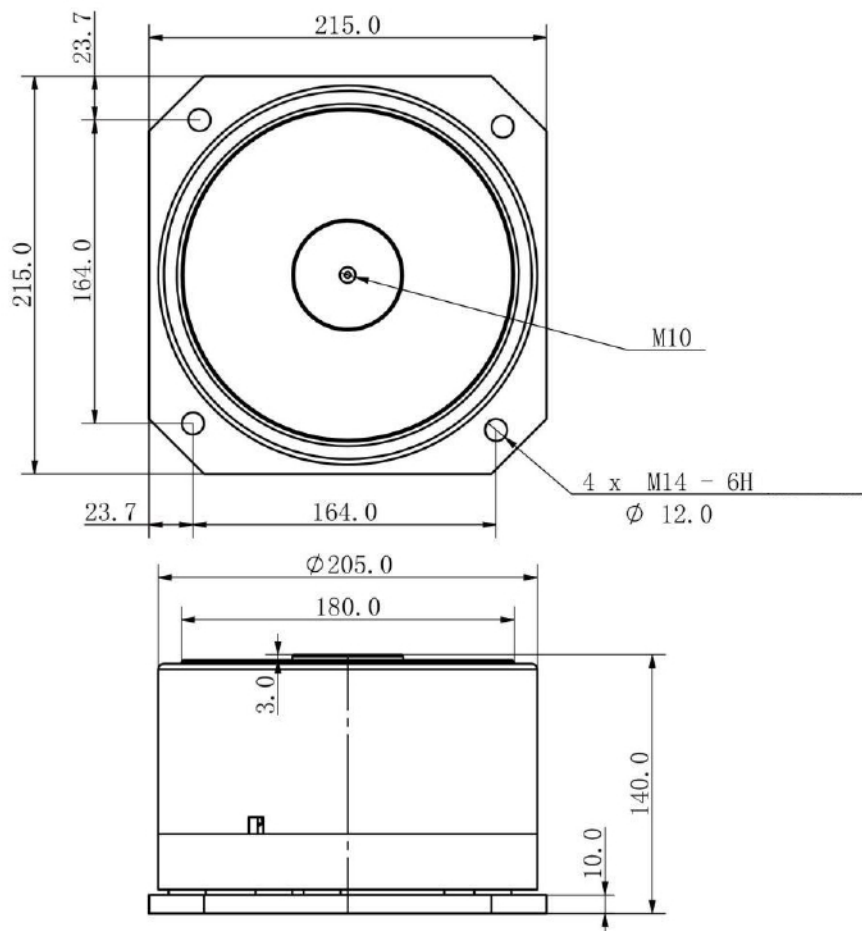


VT - 180YD



Model	Supply voltage V	Power W	Machine Weight Kg	Current	Loading Kg	Max hanging palte mm
VT - 180YD	<240	PIEZOELECTRIC	15.8	VARIES	2.0-2.5	≤280